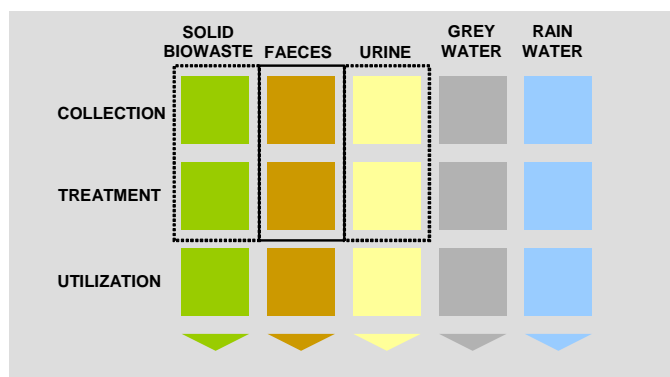


## Composting Toilets

### Appendix

Version: December 2009



## Appendix: Range of manufacturers and commercially available composting toilets

© Dec. 2009, GTZ ecosan team

Main author: Wolfgang Berger (Berger Biotechnik GmbH)

Reviewer: Dr. Elisabeth v. Münch (GTZ)

*Please send feedback and comments to the e-mail address given below. We look forward to hearing from you.*

Deutsche Gesellschaft für Technische Zusammenarbeit (GTZ) GmbH  
ecosan program

Dag-Hammarskjöld-Weg 1-5  
65760 Eschborn, Germany  
T +49 6196 79-4220  
F +49 6196 79-7458  
E [ecosan@gtz.de](mailto:ecosan@gtz.de)

partner of

sustainable  
sanitation  
alliance

[www.susana.org](http://www.susana.org)

### Important notes:

The suppliers lists provided here are *not complete* lists but give only an indication of available products. We give no guarantee for data and prices. The evaluation was based on the internet information by the manufacturers in September 2009, prices are without taxes, package, shipment and possible customs duty.

If you spot errors or omissions, please contact us at [ecosan@gtz.de](mailto:ecosan@gtz.de). All information is provided to the best of our knowledge and current for September 2009. An entry in this list does not imply a recommendation by GTZ. Costs are indicative only.

## Single-vault composting toilets

### Clivus Multrum

Diverse models and sizes



- Composting tank under floor
- Continuous removal
- No urine diversion
- Leachate drainage and storage
- Possible addition of organics
- 2 toilet connections possible
- Low flush toilet can be connected
- Electricity required for fan
- Material: Polyethylene plastic
- Price: EUR 1,500 – 5,000 (accessories not included)

**Clivus Multrum Inc.**  
15 Union Street  
Lawrence, MA 01840, USA  
Phone: +1 978 725 5591  
Fax: +1 978 557 9658  
[forinfo@clivusmultrum.com](mailto:forinfo@clivusmultrum.com)  
[www.clivusmultrum.com](http://www.clivusmultrum.com)  
[www.clivusmultrum.nu](http://www.clivusmultrum.nu)

### TerraNova

diverse models and sizes



- Composting tank under floor
- Continuous removal
- With or without urine diversion
- Leachate drainage and storage
- Addition of organic waste recommended
- Installable for multi-story buildings
- 4 toilet connections possible
- Direct seat on tank top side possible (TN75)
- Electricity required for fan
- Insulated double wall construction (model TN115)
- Material: glass-fibre reinforced plastics (model 115) Polyethylene plastic (model TN75)
- Price: EUR 2,500 – 4,000 (accessories not included)

**Berger Biotechnik GmbH**  
Bogenstr. 17  
D-20144 Hamburg, Germany  
Phone: +49 40 439 78 75  
Fax: + 49 40 43 78 48  
[info@berger-biotechnik.de](mailto:info@berger-biotechnik.de)  
[www.berger-biotechnik.com](http://www.berger-biotechnik.com)

**Biolan  
composting  
toilet**  
Diverse models



- Compact system, partly under floor
- Continuous removal
- With or without urine diversion
- Leachate drainage with overflow
- Direct seat on bin top side
- No electricity required
- Insulated double wall bin
- Material: polyethylene plastic, polyurethane insulation
- Price: EUR 630 (accessories included)

**Biolan Oy**  
P.O Box 2, FIN-27501 Kauttua  
Finland  
Phone: +358 2 5491 600  
Fax: +358 2 5491 625  
[export@biolan.fi](mailto:export@biolan.fi)  
[www.biolan.com](http://www.biolan.com)

## Multiple-vault composting toilets

**EcoTech  
Carousel,  
Snurredassen**  
Diverse sizes



- Composting tank under floor
- Horizontal rotatable 4-vault tank
- With or without urine diversion
- Leachate drainage and storage with overflow
- Heating cable for evaporation of leachate possible
- 2 toilet connections possible
- Direct seat on tank top side possible
- Low flush toilet can be connected
- Electricity required for fan and heating (optional)
- Material: Glass fibre reinforced plastics
- Price: EUR 2,000 – 3,000 (accessories not included)

**Ecological Engineering  
Group, Inc.**  
508 Boston Post Road, PO  
Box 415, Weston,  
Massachusetts 02493-  
0003, USA  
Phone: +1 978 369 3951  
Fax: +1 978 369 2484  
[eco-tech@ecological-engineering.com](mailto:eco-tech@ecological-engineering.com)  
[www.ecological-engineering.com/ecotech.html](http://www.ecological-engineering.com/ecotech.html)

**Hyttetorget AS**  
P.B. 2036 Veløyveien 17  
N-3239 Sandefjord,  
Norway  
Phone: +47 33 42 01 00  
Fax: +47 33 47 46 80  
[post@hyttetorget.no](mailto:post@hyttetorget.no)  
[www.hyttetorget.no](http://www.hyttetorget.no)

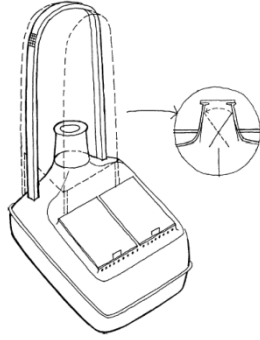
**Ekolet**  
Diverse models  
and sizes



- Composting tank under floor
- Rotating structure with 4 vaults
- No urine diversion
- Leachate drainage and storage with overflow
- Addition of kitchen waste possible
- 2 toilet connections possible
- Direct seat on tank top side possible
- Electricity required for fan
- Material: polyethylene plastic reinforced by steel
- Price: EUR 700 – 3,000 (accessories not included)

**Ekolet Ltd.**  
Estetie 3  
FIN-00430 Helsinki  
Finland  
Phone: +358 106 662 690  
Fax: +358 106 662 699  
[info@ekolet.com](mailto:info@ekolet.com)  
[www.ekolet.com](http://www.ekolet.com)

### Sirdo Seco



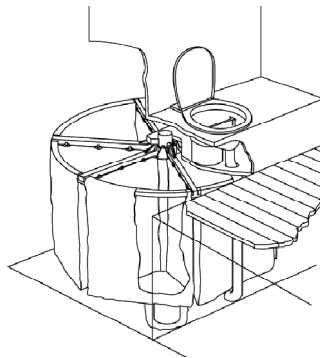
- Outhouse unit, partly underground level
- Tank divided into 2 vaults
- Lightweight structure
- 1 fixed toilet equipped with a baffle
- Material: glass-fibre reinforced plastics
- Price: EUR 900 (accessories included)

### G.T.A. Grupo de Tecnología Alternativa S.C.

Ave. De los Arcos 24 local 6, San Juan Totoltepec. Naucalpan de Juárez, Edo. de México  
Phone: +52 55 5256 2178  
Fax: +52 55 5256 2178  
[gtasc2004@yahoo.com.mx](mailto:gtasc2004@yahoo.com.mx)  
[www.sirdo.com.mx](http://www.sirdo.com.mx)

### Rota-Loo

Diverse sizes and models



- Composting tank under floor
- Rotating structure with 6 vaults
- With or without urine diversion
- Leachate drainage with overflow
- Spare bins to increase capacity possible
- Mobile models available
- Material: Polyethylene plastic
- Price: from EUR 500

### Rota-Loo

41A Jarrah Drive  
Breaside Victoria 3195  
Australia  
P.O. Box 988  
Phone: +61 3 9587 2447  
Fax.: +61 3 9587 5622  
[www.rotaloo.com](http://www.rotaloo.com)

## Movable bin toilets connected to external composting

### Green toilet



- Under floor or partly under floor storage bin
- Direct seat on cover bin possible
- Necessity of absorbing material
- Leachate overflow necessary
- Material: Polyethylene plastic
- Price: EUR 380 (accessories included)

### PikkuVihreä Ltd.

Taalintehtaankatu, FIN-20750 Turku, Finland  
P.O Box : PL 19, FIN-20741 Turku, Finland  
Phone: +358 2 242 1089  
Fax: +358 2 242 5641  
[jukka.lindroos@pikkuvihrea.fi](mailto:jukka.lindroos@pikkuvihrea.fi)  
[www.pikkuvihrea.fi](http://www.pikkuvihrea.fi)

### WM Eco dry

Diverse models



- Under floor storage bin
- Urine diversion toilet, porcelain
- Low urine flush possible
- Material: Polyethylene plastic (bin)
- Price: EUR 470 (toilet + bin)

### Wost Man Ecology AB

Språngarvägen 18, SE-132 38 Saltsjö-Boo, Sweden  
Phone: +46 8 715 1320  
Fax: +46 8 715 1321  
[info@wostman.se](mailto:info@wostman.se)  
[www.wostman.se](http://www.wostman.se)

### Separett Villa



- Compact system with storage bin inside
- Exchangeable bins included
- Urine diversion
- Electrical fan (12V or 230V)
- Equipped with "view guard" (opens when seated)
- Children seat
- Compostable bags possible
- Material: Polypropylene plastic
- Price: EUR 610 (accessories included)

### Separett AB

Skinnebo, SE-330 10  
Bredaryd,  
Sweden  
Phone: +46 371 712 20  
Fax: +46 371 712 60  
[info@separett.com](mailto:info@separett.com)  
[www.separett.com](http://www.separett.com)

### TOA – mobile toilet

Diverse models and sizes



- Compact system with bucket inside
- Exchangeable bins possible
- No urine diversion
- No ventilation
- Necessity of dried bark chips or similar
- No electricity required
- Compostable bags possible
- Material: Polyethylene (bucket) and Polypropylene plastic
- Price: from EUR 40

### Berger Biotechnik GmbH

Bogenstr. 17  
D-20144 Hamburg,  
Germany  
Phone: +49 40 439 78 75  
Fax: +49 40 43 78 48  
[info@berger-biotechnik.de](mailto:info@berger-biotechnik.de)  
[www.berger-biotechnik.com](http://www.berger-biotechnik.com)

### Sawi Biocom Bark Chip Toilet



- Compact system with bicameral bucket inside for solid and liquid storage
- Continuous removal
- No urine diversion
- Available in various colours
- Necessity of dried bark chips or similar
- No electricity required
- Material: ABS plastic
- Price: EUR 320

### Berger Biotechnik GmbH

Bogenstr. 17  
D-20144 Hamburg,  
Germany  
Phone: +49 40 439 78 75  
Fax: +49 40 43 78 48  
[info@berger-biotechnik.de](mailto:info@berger-biotechnik.de)  
[www.berger-biotechnik.com](http://www.berger-biotechnik.com)

### Compact

Diverse models and sizes



- Two bins with one seat
- Exchangeable bins
- No urine diversion
- Vent pipe and fan installable
- Necessity of absorbing material
- Material: polyethylene plastic
- Price: from EUR 500 (accessories not included)

### Nature Loo

PO Box 2157, Toowong  
(Brisbane) QLD 4066,  
Australia Phone: +61 7  
3888 1810  
Fax: +61 7 3888 5550  
[info@nature-loo.com.au](mailto:info@nature-loo.com.au)  
[www.nature-loo.com.au](http://www.nature-loo.com.au)

## Composting toilets with mixing devices

### Phoenix

Diverse sizes

- Composting tank under floor
- Continuous removal
- No urine diversion
- Leachate drainage/storage
- Up to 3 vertical stirring units, manually operated
- Electricity required for low power fan
- 2 toilet connections possible
- Material: Polyethylene plastic

### Advanced Composting Systems LLC

195 Meadows RD  
Whitefish, MT 59937, USA  
Phone: +1 406 862 3854  
Fax: +1 406-862 3855  
[phoenix@compostingtoilet.com](mailto:phoenix@compostingtoilet.com)  
[www.compostingtoilet.com](http://www.compostingtoilet.com)



Phoenix R-200

- (tank)
- Price: EUR 3,500 – 5,000 (accessories included)

### Bio-Lux

Diverse models and sizes



- Composting tank under floor or direct seat on tank top side
- Continuous removal
- No urine diversion
- Necessity of sawdust
- Liquid evaporation by heating devices
- Vertical stirring device
- Electricity required for fan, heating and stirring device
- Manually operated mixing device possible
- 1 toilet connection
- Material: stainless steel
- Price: from EUR 5,000 (accessories not included)

### Seiwa Denko Co., Ltd.

3-2, 1-chome, 1-jo,  
Kogyodanchi, Asahikawa,  
Hokkaido, Japan  
Phone: +81 166 39 7611  
Fax: +81 166 39 7612  
[seiwa@seiwa-denko.co.jp](mailto:seiwa@seiwa-denko.co.jp)  
[www.seiwa-denko.co.jp](http://www.seiwa-denko.co.jp)

### BioLlet

Diverse models



- Compact system
- Continuous removal
- No urine diversion
- Necessity of absorbing material
- Liquid evaporation by heating element or overflow
- Horizontal stirring device
- Electricity required for heating, ventilation and stirring device
- Manually operated mixing device possible
- Equipped with "view guard" (opens when seated)
- Material: ABS plastic
- Price: from EUR 900

### Biolet USA, Inc.

53671 Lafayette Township  
Rd 508, Fresno, OH 43824,  
USA  
Phone: +1 800 524 6538  
Fax: +1 740 545 0703  
[info@biolet.com](mailto:info@biolet.com)  
[www.biolet.com](http://www.biolet.com)

### Biolet GmbH

Baarerstrasse 43  
CH-6300 Zug, Switzerland  
[peterandersson@biolet.com](mailto:peterandersson@biolet.com)

## Naturum



- Compact system
- Continuous removal
- Urine diversion
- Necessity of sawdust
- Electricity required for fan
- Rotating drum for mixing, driven by foot pedal
- Material: glass-fibre reinforced plastics, polyethylene plastic, stainless steel, insulated housing
- Price: EUR 1,300

## Biolan Oy

PO Box 2, FIN-27501  
Kauttua,  
Finland  
Phone: +358 2 5491 600  
Fax: +358 2 5491 625  
[export@biolan.fi](mailto:export@biolan.fi)  
[www.biolan.com](http://www.biolan.com)  
[www.naturum.fi](http://www.naturum.fi)